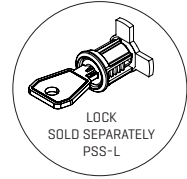
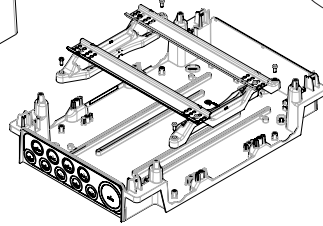
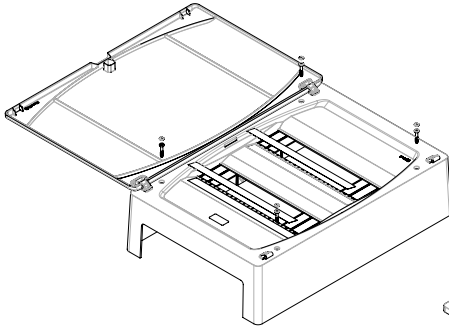


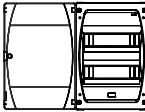




# VOLTEX® INSTRUCTION GUIDE

**CUBO**  
SWITCHBOARD SERIES

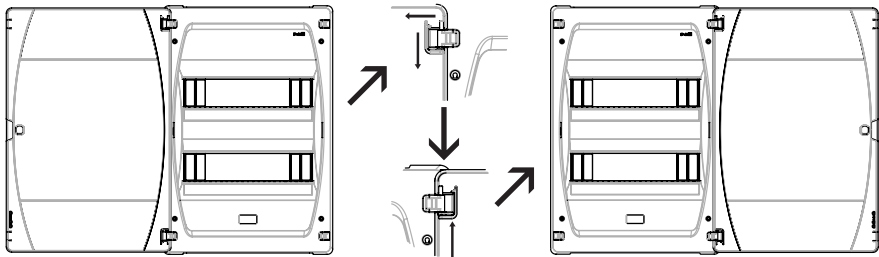
**Surface Mount Switchboard IP40**  
PSS12, PSS18, PSS24, PSS36



## ITEMS INCLUDED

PRODUCT					
PSS12	1	1	1	1	1
PSS18	1	1	1	1	1
PSS24	1	1	2	2	1
PSS36	1	1	3	2	1

## CHANGING DOOR ORIENTATION



**VOLTEX®**

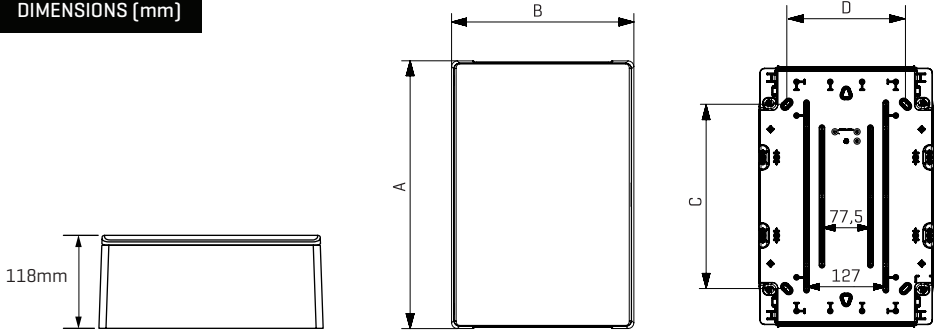
© Voltex Electrical 2020. All Rights Reserved.

AU P: 1300 722 275  
E: [sales@voltexelectrical.com.au](mailto:sales@voltexelectrical.com.au)  
[www.voltexelectrical.com.au](http://www.voltexelectrical.com.au)

NZ P: 0800 55 66 33  
E: [sales@voltexelectrical.co.nz](mailto:sales@voltexelectrical.co.nz)  
[www.voltexelectrical.co.nz](http://www.voltexelectrical.co.nz)

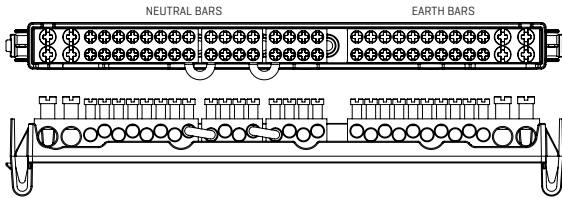
TS-02626011

## DIMENSIONS [mm]



Model	A [mm]	B [mm]	C [mm]	D [mm]
PSS12	250	284	130	190
PSS18	254	392	130	296
PSS24	418	284	296	190
PSS36	544	284	420	190

## TECHNICAL SPECIFICATION



PRODUCT	SUPPLIED NEUTRAL BARS	SUPPLIED EARTH BARS
PSS12	$[2 \times \{35\text{mm}^2\} + 8 \times \{16\text{mm}^2\}] + 2 \times \{4 \times \{16\text{mm}^2\}\}$	$2 \times \{35\text{mm}^2\} + 10 \times \{16\text{mm}^2\}$
PSS18	$[2 \times \{35\text{mm}^2\} + 8 \times \{16\text{mm}^2\}] + 3 \times \{4 \times \{16\text{mm}^2\}\}$	$2 \times \{35\text{mm}^2\} + 16 \times \{16\text{mm}^2\}$
PSS24	$2 \times [[2 \times \{35\text{mm}^2\} + 8 \times \{16\text{mm}^2\}] + 2 \times \{4 \times \{16\text{mm}^2\}\}]$	$2 \times [2 \times \{35\text{mm}^2\} + 10 \times \{16\text{mm}^2\}]$
PSS36	$2 \times [[2 \times \{35\text{mm}^2\} + 8 \times \{16\text{mm}^2\}] + 3 \times \{4 \times \{16\text{mm}^2\}\}]$	$2 \times [2 \times \{35\text{mm}^2\} + 16 \times \{16\text{mm}^2\}]$

Rated Current of Earth and Neutral Bars = 125A